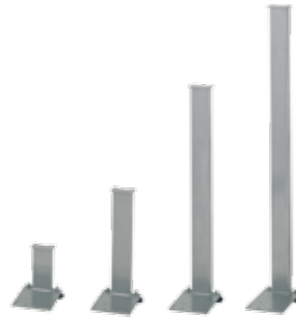


Weighing Platform

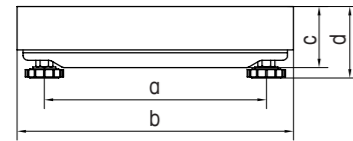
Accessories

	Order number
Stand, stainless steel	
Heights 120 mm / 4.7"	72 229 393
Heights 330 mm / 13"	72 198 702
Heights 660 mm / 26"	72 198 703
Heights 900 mm / 35.4"	72 198 704

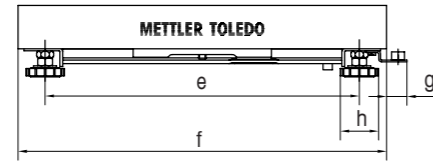


Dimensions

Front view



Side view



Model – Dimension in mm/"	a	b	c	d	e	f	g	h
PBA226-A...	mm 175	240	59	86	235	300	21	42
"	6,89	9,45	2,32	3,38	9,25	7,87	0,83	1,65
PBA226-BB...	mm 235	300	76	97	335	400	18	42
"	9,25	11,81	2,99	3,81	13,18	15,74	0,7	1,65
PBA226-B...	mm 335	400	108,5	123	435	500	18	42
"	13,18	15,74	4,27	4,84	17,12	19,68	0,7	1,65
PBA226-QA...	mm 163	228	59	86	163	228	21	42
"	6,41	8,97	2,32	3,38	6,41	8,97	0,83	1,65
PBA226-QB...	mm 240	305	76	97	254	305	17	42
"	9,45	12,0	2,99	3,81	10,0	12,0	0,67	1,65
PBA226-QC...	mm 392	457	108,5	123	400	457	17	42
"	15,43	18	4,27	4,84	15,75	18	0,67	1,65



PBA226 Weighing Platform

Stainless steel construction

Capacities from 3 to 150 kg

OIML and NTEP approved

Hygienically designed

Water resistant according IP65

Rugged, Easy to Clean, Precise

for Your Dry or Light Hose Down Applications

For more information

USA

Mettler-Toledo, Inc.
1900 Polaris Parkway
Columbus, OH, 43240
Tel. (1) 800 523 5123

Canada

Mettler-Toledo, Inc.
2915 Argentic Road, Unit 6
Mississauga, Ontario, L5N 8G6
Tel. (1) 800 523 5123

Rest of World

Mettler-Toledo AG
CH-8606 Greifensee
Switzerland
Tel. +41 44 944 22 11

Subject to technical changes
© 09/2010 Mettler-Toledo AG
Printed in Switzerland
MTSI 44099476

ServiceXXL
Tailored Services



For Cost Sensitive Applications in Short Time Wet Environments

The PBA226 stainless steel platform is a robust, durable and economical solution for a wide range of weighing tasks with light hose down requirements. This platform series is a perfect fit in many industrial and chemical/pharmaceutical applications with a need for sturdiness, uncompromising cleanliness and a certain protection against the impact of water (30 min./day), humidity and condensation.



High Durability

Electropolished, full stainless steel frame for a long life time also when used in harsh environments.

Easy to Clean



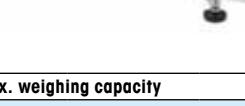
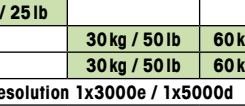
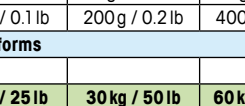
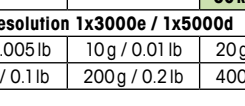
The open, sturdy and straight forward mechanical design allows for efficient cleaning due to good access to any part of the construction.



Technical Specifications

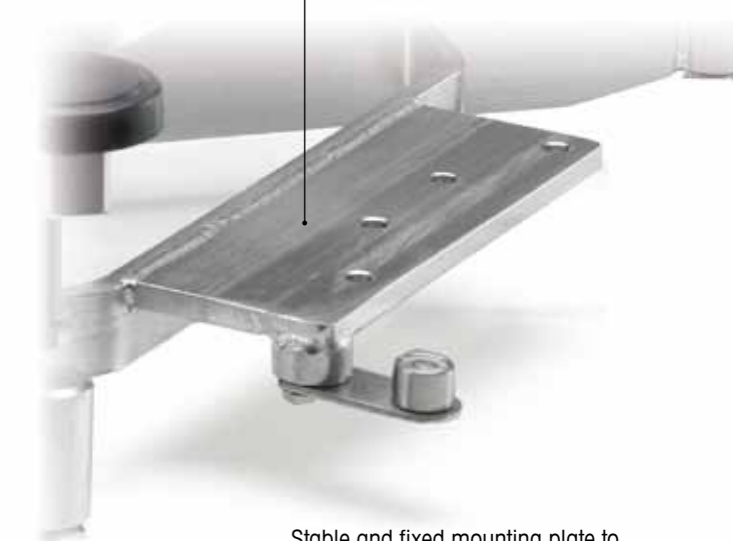
Resolution	15 000d OIML Class III, 3000e NTEP Class III, 5000d
Ingress Protection	IP65
Material	Platform frame: Stainless steel AISI304 Load plate: Stainless steel AISI304
Load Cell	Aluminium, potted

Construction per Size

	A 240 x 300mm / 9.5" x 11.8"
	QA 229 x 229mm / 9" x 9"
	BB 300 x 400mm / 11.8" x 15.7"
	B 400 x 500mm / 15.7" x 19.7"
	QB 305 x 305mm / 12" x 12"
	QC 457 x 457mm / 18" x 18"

Precise Leveling – High Protection

Optimally placed and specific adjusted overload stops grant the best possible protection against load cell damaging. Easy adjustable feet allow for reliable and precise scale leveling.



Stable and fixed mounting plate to attach the stand inclusive level bubble to show the correct weighing position.

Standard Configurations

Model	Platform size	Max. weighing capacity						Cable length
Rectangular weighing platforms								
PBA226-A	240 x 300mm / 9.5" x 11.8"	3 kg / 5 lb	6 kg / 10 lb	15 kg / 25 lb				1.8m / 5.9ft
PBA226-BB	300 x 400mm / 11.8" x 15.7"				30 kg / 50 lb	60 kg / 100 lb		2.3m / 7.5ft
PBA226-B	400 x 500mm / 15.7" x 19.7"				30 kg / 50 lb	60 kg / 100 lb	150 kg / 250 lb	2.3m / 7.5ft
Certifiable resolution 1x3000e / 1x5000d								
Readability certified		1g / 0.001 lb	2g / 0.002 lb	5g / 0.005 lb	10g / 0.01 lb	20g / 0.02 lb	50g / 0.05 lb	
Min. capacity (legal for trade only)		20g / 0.02 lb	40g / 0.04 lb	100g / 0.1 lb	200g / 0.2 lb	400g / 0.4 lb	1 kg / 1 lb	
Square weighing platforms								
PBA226-QA	229 x 229mm / 9" x 9"	3 kg / 5 lb	6 kg / 10 lb					1.8m / 5.9ft
PBA226-QB	305 x 305mm / 12" x 12"			15 kg / 25 lb	30 kg / 50 lb	60 kg / 100 lb		2.3m / 7.5ft
PBA226-QC	457 x 457mm / 18" x 18"				60 kg / 100 lb	150 kg / 250 lb		3.3m / 10.8ft
Certifiable resolution 1x3000e / 1x5000d								
Readability certified		1g / 0.001 lb	2g / 0.002 lb	5g / 0.005 lb	10g / 0.01 lb	20g / 0.02 lb	50g / 0.05 lb	
Min. capacity (legal for trade only)		20g / 0.02 lb	40g / 0.04 lb	100g / 0.1 lb	200g / 0.2 lb	400g / 0.4 lb	1 kg / 1 lb	

Model designation example:
Size 240 x 300mm / 6kg: PBA226-A6 (H)

Zero setting range = 2% of max. capacity
Temperature range = -10°C to +40°C / 14°F to 104°F

Preload range = 18% of max. capacity
Taring range subtractive from 0 to max. capacity



Optional Hygienic Kit

To easily reduce on site-contamination, this platform series is optionally also available with a hygienic-kit containing specially designed leveling kits and overload stops.