

ICS226 Compact Scale

ICS226 Compact Scale For Light Wash Down Applications



Ergonomic design

Duplicated Zero/Tare keys provide ergonomic operation. Intuitive LCD display speeds up production.



Portable and Mobile

Fully portable and mobile with removable handles and Ni-MH battery for flexible operation.



Stainless Steel Protection

Stainless steel scale is IP67 terminal and IP65 base protected for ruggedness and durability.



Interface

With RS232 interface, ICS226 can connect to printer to print basic weighing data.



ICS226 Compact Scale

ICS226 is designed for efficient out-of-the-box simple weighing applications and optimized for easy and fast Checkweighing.

It is an ideal portable scale solution for weighing and portioning in food production and packaging applications.

METTLER TOLEDO

ICS226 Compact Scale

Technical Specifications

Display	6 digit LCD, with white backlight Heights 30mm
Approval	NTEP, III, 3,000 e
Optional Readability	6,000 d / 7,500 d
Power Supply	100 ~ 240 VAC
Ingress Protection	6V Ni-MH rechargeable battery 3800mAh IP65/IP67
Material	Scale: Stainless steel, AISI304 Load cell: Stainless steel potted
Applications	Simple weighing, Unit switch, Check weighing
Platform Size	228 x 228 mm / 8.98 x 8.98"

Standard Configurations

Power				
Order Number	Model	Capacity/Readability	Installation	Product Size
30083480	ICS226-QA3F with RS232	6lb/0.002lb	Front	375 x 331 x 86 mm 14.76 x 13.03 x 3.39"
30083481	ICS226-QA6F with RS232	15lb/0.005lb	Front	
30083482	ICS226-QA15F with RS232	30lb/0.01lb	Front	

Internal Rechargeable Battery				
Order Number	Model	Capacity/Readability	Installation	Product Size
30083483	ICS226-QA3FCL with RS232	6lb/0.002lb	Front	375 x 331 x 86 mm 14.76 x 13.03 x 3.39"
30083484	ICS226-QA6FCL with RS232	15lb/0.005lb	Front	
30083485	ICS226-QA15FCL with RS232	30lb/0.01lb	Front	

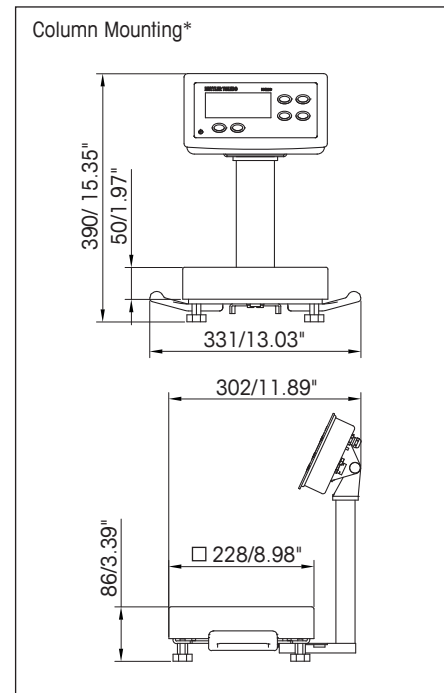
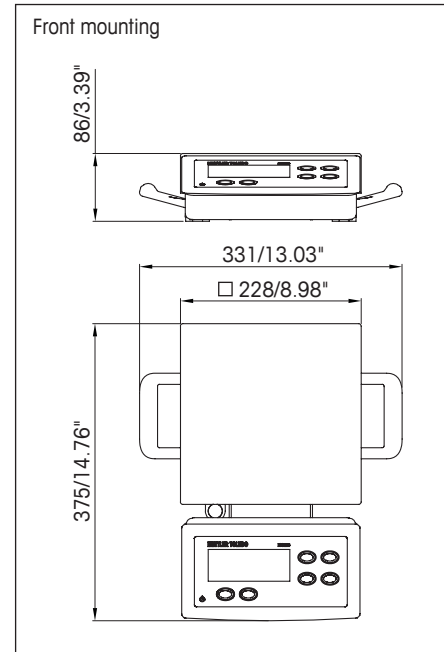
Optional Configurations*

Power				
Order Number	Model	Capacity/Readability	Installation	Product Size
30083480	ICS226-QA3F with RS232	6lb/0.002lb	Column	302 x 331 x 390 mm 11.89 x 13.03 x 15.35"
30083481	ICS226-QA6F with RS232	15lb/0.005lb	Column	
30083482	ICS226-QA15F with RS232	30lb/0.01lb	Column	

Internal Rechargeable Battery				
Order Number	Model	Capacity/Readability	Installation	Product Size
30083483	ICS226-QA3FCL with RS232	6lb/0.002lb	Column	302 x 331 x 390 mm 11.89 x 13.03 x 15.35"
30083484	ICS226-QA6FCL with RS232	15lb/0.005lb	Column	
30083485	ICS226-QA15FCL with RS232	30lb/0.01lb	Column	

* Please order accessory, 30104487 ICS226 column kits, to change front to column installation.

Dimensions (mm/inch)



METTLER TOLEDO

USA
1900 Polaris Parkway
Columbus, Ohio 43240
Tel. (800) METTLER
Fax (614) 438-4525
Internet: www.mt.com
Email: TellMeMore@mt.com

Canada
2915 Argenta Road, Unit 6
Mississauga, Ontario L5N 8G6
Tel. (800) METTLER
Fax (800) 786-0042

www.mt.com

For more information